

Video Tour of Wanapum Dam

Unscramble the words that describe some of the roles of Wanapum Dam:



 GAIRIRTION



 RENWEAEBL GREEYN



 TUUCRLLA ORSREUEC NEOTPCIRO



 IHSF SAEPASG



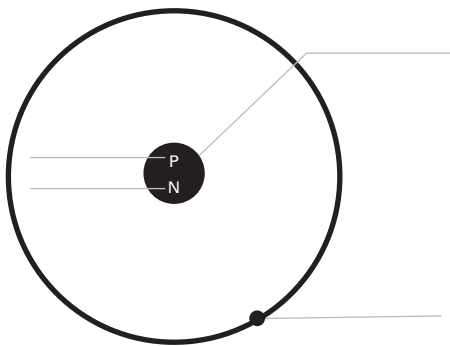
 REORTECAIN

Explain how moving water can create electrical energy:

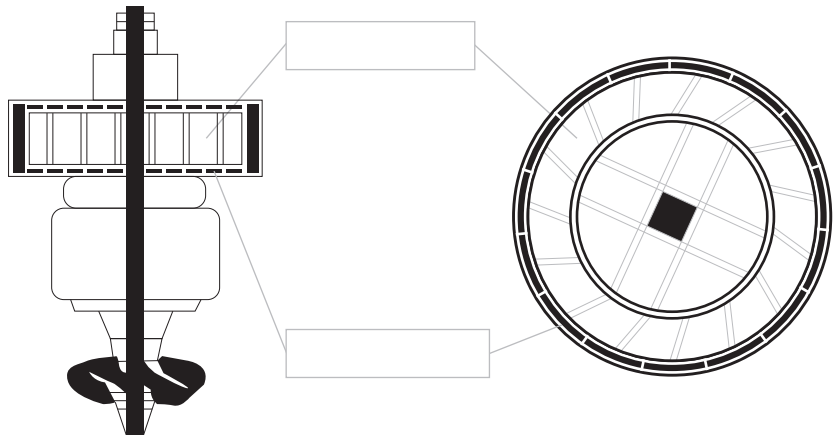
Number the following parts according to the order in which water flows through them:

- ___ Turbine
- ___ Spiral Case
- ___ Draft Tubes
- ___ Wicket Gates

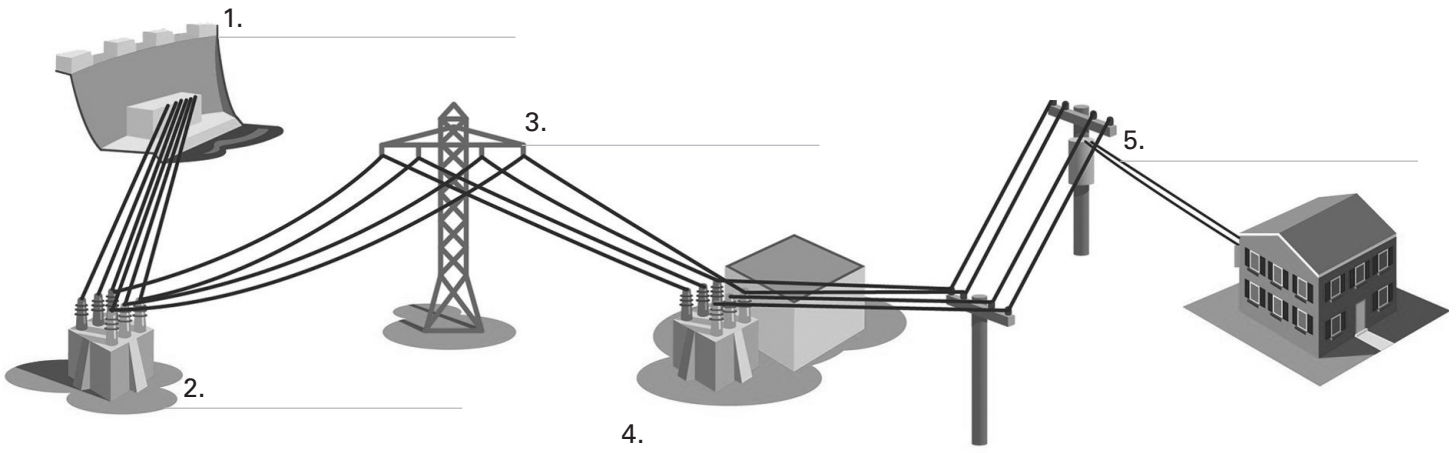
Label the parts of the atom:



Label the parts of the turbine as shown in the video:



How does electricity get from Wanapum Dam to homes? Label the chart below:



What does a spillway do?

Draw the fish bypass and describe its purpose:

Complete the word search to see some examples of hydropower-related careers:

Y	Y	D	L	Q	M	Y	A	F	K	E	B	C	P	D
W	I	N	I	U	M	B	Q	L	N	C	I	S	K	F
R	O	T	A	R	E	P	O	G	B	N	O	R	O	Z
B	Y	A	B	M	U	Z	I	M	A	Y	L	K	M	C
F	S	L	D	S	E	N	X	H	F	S	O	A	Y	O
N	J	Z	J	I	E	N	C	J	F	L	G	C	F	U
Q	F	X	R	E	S	E	I	K	U	R	I	D	X	A
F	H	M	R	G	M	P	Q	L	U	D	S	I	Y	O
T	T	U	X	O	G	R	A	D	Y	G	T	Q	O	Z
O	X	O	R	E	L	E	C	T	R	I	C	I	A	N
M	M	D	X	I	E	W	W	L	C	E	W	U	E	X
J	Y	R	T	P	I	A	D	M	U	H	K	U	F	S
H	O	X	I	F	N	S	E	H	B	F	E	U	J	J
Z	M	J	D	J	H	D	Q	X	U	R	G	R	V	E
D	A	D	R	U	V	O	A	F	M	C	I	X	C	P

Biologist Operator
 Dispatcher Electrician
 Engineer Hydro Mechanic
 Lineman